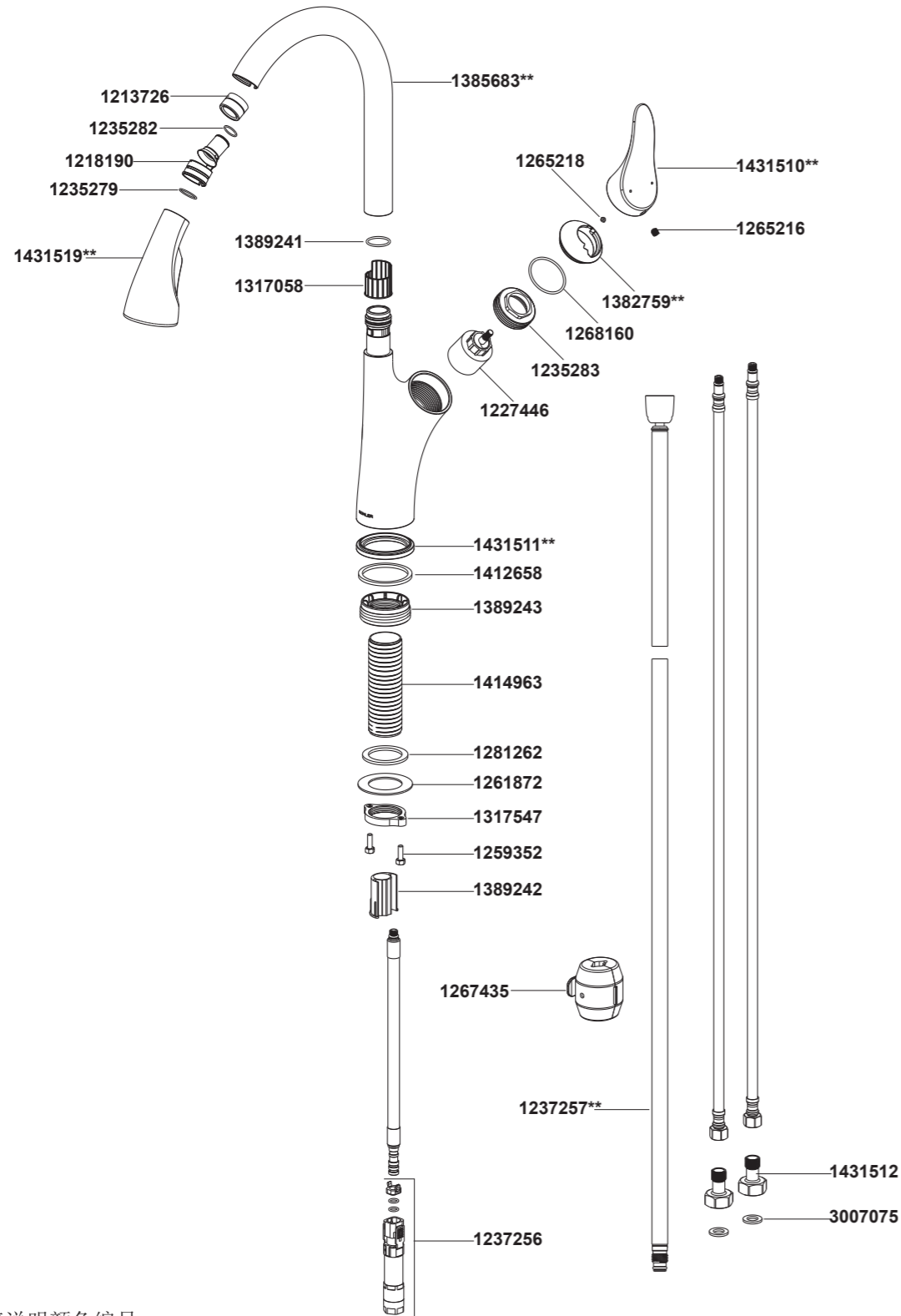


26448T-4 下抽拉厨房龙头



**订购时请说明颜色编号
**Color code must be specified when ordering

26448T-4 下抽拉厨房龙头

安装之前

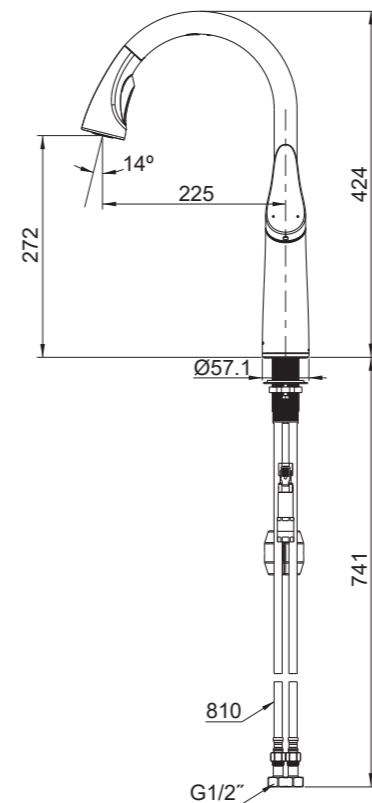
所有的资料是按最新出版的产品资料编写而成。科勒公司保留任何时候不经通知即可改变产品特性、包装或产品可供类型的权利。

说明书包括重要的安装、保养及清洁方面的内容，请把这些资料交给用户阅读。

注意事项：

1. 一定要先彻底冲洗供水管以清除管道中的杂质。
2. 如果是安装新的洗涤盆，可将龙头先装到洗涤盆上。
3. 花洒最高工作压力：0.5MPa(5bar)。水压超过0.5MPa(5bar)时必须安装减压阀。花洒最高工作温度及环境温度：60°C。请特别注意花洒同花洒连接的臂管须远离加热器，否则可能损坏花洒及其密封件，甚至对使用者造成伤害。

安装尺寸



BEFORE YOU BEGIN

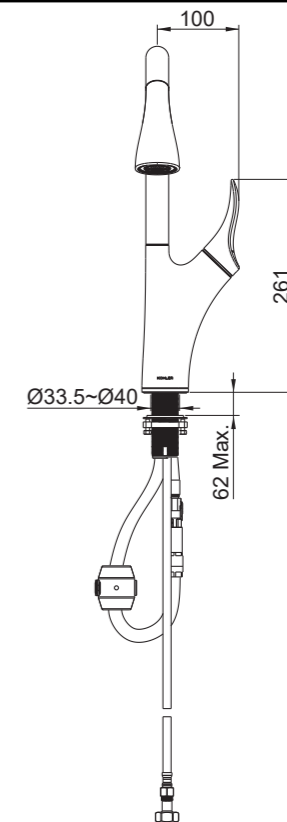
All information is based on the latest product information available at the time of publication. Kohler Co. reserves the right to make changes in product characteristics, packaging, or availability at any time without notice.

Please leave these instructions for the consumer. They contain important information.

NOTES:

1. Flush the water supply pipes thoroughly to remove debris.
2. For new installations, install the faucet to sink before installing.
3. The highest working pressure for sprayhead is 0.5MPa(5bar). If it exceeds 0.5MPa(5bar), a pressure reducer is needed. The highest water and environment temperature is 60°C. Please keep sprayhead away from heater, or it may become damaged and cause injury to the user.

ROUGH-IN DIMENSIONS



安装步骤

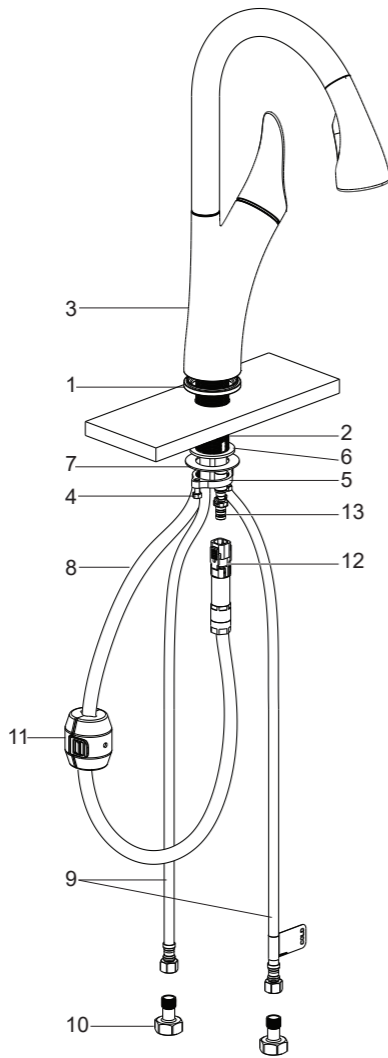
如何安装水龙头

将底座(1, 有泡沫的面朝下)穿过软管、牙管(2)置于水龙头(3)底部。从厨盆上方将水龙头组件插入台面安装孔中, 使底座底部接触台面, 且把手置于右边。

确保螺钉(4)部分旋入安装环(5)。从厨盆下方依次把橡胶垫片(6)、垫片(7)及装有两个螺钉的安装环装到牙管(2)上。调整水龙头位置, 使得花洒软管(8)在左边, 与两进水软管(9)左右对称。旋紧安装环直至垫片紧贴厨盆底部, 拧紧螺钉(4)以固定水龙头。

将单向阀接头(10)拧紧到供水阀上, 接着将进水软管(9)连接到单向阀接头上, 贴有“COLD”标签的软管接冷水, 另一根软管连接热水。

将重锤(11)装到花洒软管(8)上, 调整重锤位置使其距龙头底面距离合适, 扣紧卡扣。将花洒软管上的快接(12)连接到出水软管(13)上。



INSTALLATION

How to Install the Faucet

Slide the base(1, foam side down) over the hoses and shank(2) until it contacts the faucet(3) bottom. From upside of the sink, insert the faucet assembly into the mounting hole until the base bottom is against the deck. Ensure the handle is on the right.

Partially thread two screws(4) into the threaded ring(5). From underside of the sink, place the rubber washer(6), washer(7) and threaded ring with two screws over the shank(2). Position the faucet so that the spray hose(8) is on the left, the spray hose and two supply hoses(9) are symmetrical. Thread the threaded ring onto the shank until the washers contact the underside of the sink. Tighten two screws(4) to secure the faucet to sink.

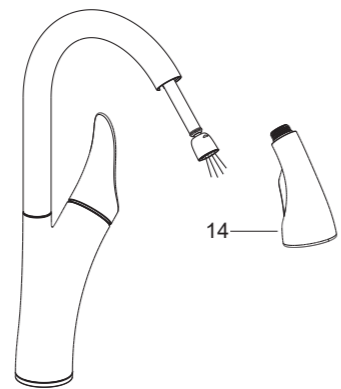
Connect and tighten the check valve housings(10) to water supplies. Connect and tighten the supply hoses(9) to the check valve housings. The supply hose with "COLD" label should be connected to cold water. Another hose should be connected to hot water.

Put the weight(11) onto the spray hose(8). Adjust the weight to the appropriate position and squeeze to connect the clasp. Connect the connector(12) of the spray hose to the outlet hose(13).

安装结果检查

检查并确保所有衔接处都已拧紧, 确保把手在关闭位置。打开主水源和排水系统, 检查并修理有漏水的接口。

将花洒(14)拆下, 打开把手, 让水流约一分钟以清除杂质。关闭龙头, 重新装回花洒。



INSTALLATION CHECKOUT

Ensure that all coupling nuts are tight. Ensure that the handle is in the off position. Turn on the main water supply and drain, and check for leaks. Repair as needed.

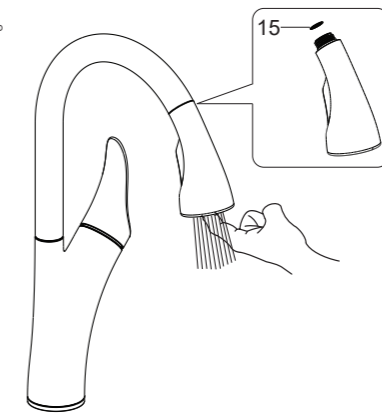
Remove the sprayhead(14). Run hot and cold water about one minute to remove any debris. Shut off the faucet. Reinstall the sprayhead.

维护与保养

打开龙头, 揉搓花洒喷嘴以清除杂质。

当有杂质使水流变小时, 关闭龙头, 取下花洒, 取出里面的滤网垫片(16)并清洗。

清洗后重新装回即可。



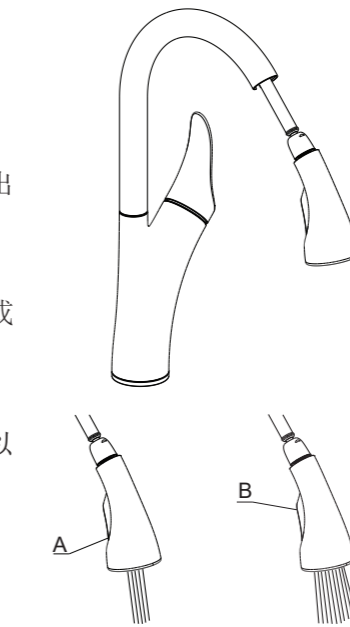
使用说明

轻轻打开把手, 顺时针旋转为冷水, 逆时针旋转为热水。

手持使用花洒时, 取下花洒, 并拉出软管。

如图所示, 按下按钮的不同位置A或B, 可分别获得两种不同水流。

注意: 不要用力过猛或拉出过长, 以免造成软管及接头损坏。



清洗说明

适用于所有加工处理过的表面: 以中性肥皂水清洗镀层表面, 再以干净的软布彻底擦干整个表面, 许多清洁剂, 比如氨水、去污粉及洁厕灵等, 会对电镀表面造成伤害, 切忌使用。

有磨损性的清洁用具或清洁剂也不可适用于科勒牌的水龙头及其配件上。

龙头本体背面标有“LEAD FREE”字样, 即产品符合美国AB1953法令的要求。

CARE AND MAINTENANCE

Turn on the faucet, rub the sprayhead nozzles to dislodge debris.

To improve water flow, turn off the faucet. Disconnect the sprayhead. Remove and clean the screen(16) inside the sprayhead.

Reinsert the screen and reconnect the sprayhead.

OPERATION INSTRUCTION

Turn on the handle gently. Turn clockwise for cold water, counter-clockwise for hot water.

If you want to use the sprayhead by hand, take the sprayhead and pull out the hose.

Press different position A or B of the button, you will get different water flow as shown.

NOTE: Please pull it gently and do not draw out the spray hose too long, or you may damage the hose and connector.

CLEANING INSTRUCTIONS

All Finishes: Clean the finish with mild soap and warm water. Wipe entire surface completely dry with clean soft cloth. Many cleaners may contain chemicals, such as ammonia, chlorine, toilet cleaner etc. which could adversely affect the finish and are not recommended for cleaning.

Do not use abrasive cleaners or solvents on Kohler faucets and fittings.

"LEAD FREE" is marked on the back of the faucet signifying its compliance with the United States AB1953.